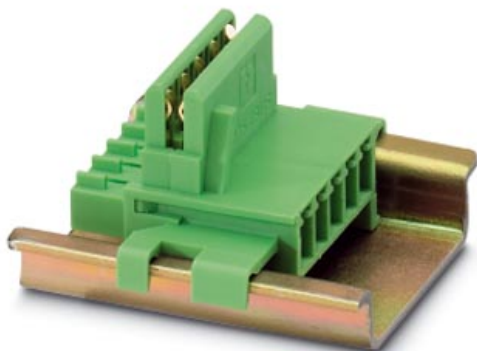


Please note that the data given here has been taken from the online catalog. For comprehensive information and data, please refer to the user documentation at <http://www.download.phoenixcontact.com>. The General Terms and Conditions of Use apply to Internet downloads.

▶ Extract from the online catalog



Bus connector, gold-plated contacts, for mounting on DIN rail, 5-pos.

Order No.	2709561
Ord designation	ME 17,5 TBUS 1,5/ 5-ST-3,81 GN
EAN	4017918892654
Pack	10 Pcs.
Customs tariff	85369010
Weight/Piece	0.0062 KG
Catalog page information	Page 333 (IF-2007)

▶ Product notes

WEEE/RoHS-compliant since: 04/01/2005



IMPORTANT : This date is valid for Customers in Germany only. Date Format is MM/DD/YYYY. Please contact your local in-country Phoenix Contact location or designated business partner for a Logistics Compliant date in your area. In order to guarantee delivery of RoHS-Compliant product, please purchase Phoenix Contact parts from authorized Phoenix Contact representatives and distributors.

▶ Technical data

General

Color green



Dimensions / positions

Constructional height

20 mm

Width

3.5 mm



Technical data

Connection in acc. with standard	CUL
Nominal voltage U_N	150 V
Nominal current I_N	8 A
Indicator1	CUL1
Inflammability class acc. to UL 94	V0

► Certificates / Approvals

Certificate logos



CUL

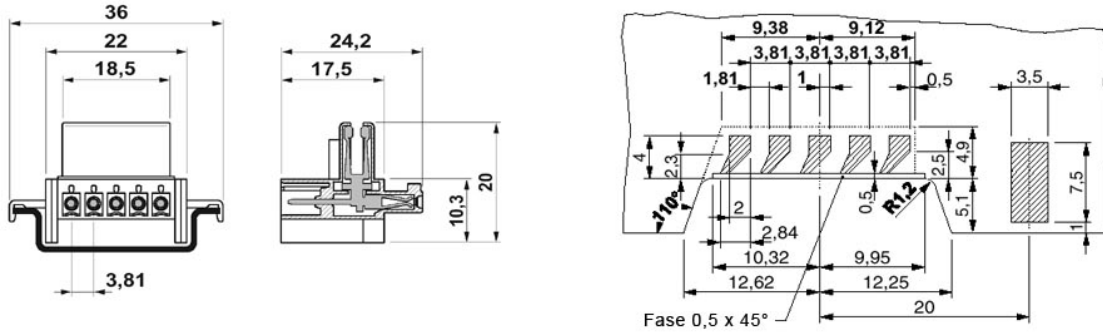
Nominal voltage U_N	150 V
Nominal current I_N	8 A

UL

Nominal voltage U_N	150 V
Nominal current I_N	8 A

► Drawings

Dimensioned drawing



Detailed dimensional drawing of the mounting rail bus connector contact pads

► Address

PHOENIX CONTACT Inc., USA
586 Fulling Mill Road
Middletown, PA 17057
USA
Phone (800) 888-7388
Fax (717) 944-1625
<http://www.phoenixcon.com>
© Phoenix Contact
Technical modifications reserved;